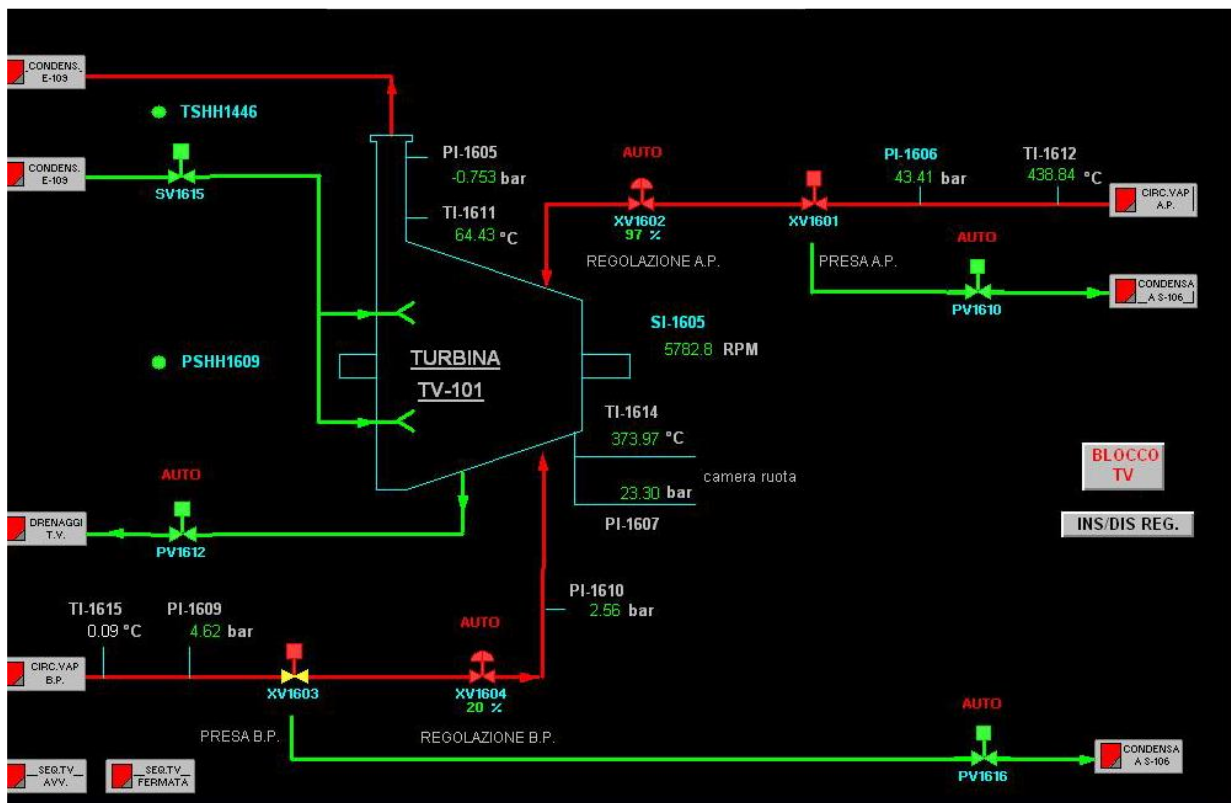


P.O.Box 130571
20105 Hamburg/Germany

Tel. +49 40 33441944
Fax +49 40 33441945

www.lohrmann.com
info@lohrmann.com

For Sale:	Pre-owned 12,8 MW Steam Turbine Generator - Condensing with extraction type -
Ref.-No:	STG-29.51



This document contains confidential information intended only for the use of the addressee. If you are not the intended recipient of this information then you are hereby notified that any use, dissemination, distribution or reproduction of this message is prohibited. If you have received this communication in error, please contact the sender immediately and delete this material in its exhibits.